



COMPACT Ice Maker



Small in a Big Way



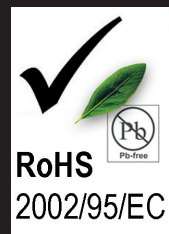
COMPACT Ice Maker



590mm

350mm

444mm



Small in a Big Way



NEW



COMPACT Ice Maker

Undercounter model, suitable for small applications.

AM-20CAE



COMPACT design fits under any counter



Easy, convenient and inexpensive installation



Durable exterior, fingerprint resistant



Cleaning Made Easy

- Efficient evaporator is easy to clean
- Front accessible parts with removable water tank
- Fewer moving parts for longer life
- Easily disassembled water circuit for easy cleaning



Ice Production approx. 28kg per 24 hours*



Auto shut off when ice bin is full



Eco-Friendly water based Polyurethane foam



Front venting for built-in or free standing installation



Front power switch with adjustable thermostat



Made in E.U.



Individual jet system for more consistent ice production

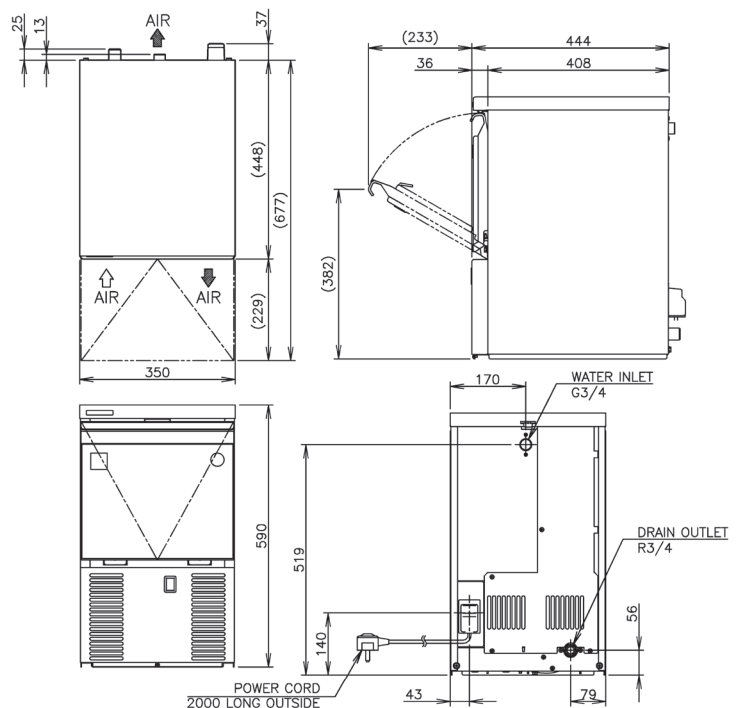


Ø 20 mm / 27 mm (h)



Certification pending

Dimensions	350mm(W) x 444mm(D) x 590mm(H)
Ac Supply Voltage	1 Phase 220-240V 50Hz
Electric Consumption	238W
Ice Production Per 24h*	approx. 28kg at 10/10°C approx. 25kg at 21/15°C
Water Consumption Per 24h	0.15m ³ at 10/10°C – 0.08m ³ at 21/15°C
Shape Of Ice	AM (top hat) (Ø20 x 27mm)
Ice Production Per Cycle	0.3kg/24pcs at 21/15°C
Max Storage Capacity	Approx. 4kg
Exterior	Colored steel, Galvanized steel (rear)
Condenser	Air-cooled
Refrigerant Charge	R134a/130g
Weight	28kg (Gross 34kg)
Sound Noise Level	53db
Accessories	CD (manual), scoop, inlet hose, outlet hose, connector cover, power cable
Operating Conditions	Ambient Temp.: 10-35°C, Water Supply Temp.: 5-30°C Water Supply Pressure: 0.07-0.8MPa (0.7-8bar) Voltage Range: Rated Voltage ±6%



HOSHIZAKI

uksales@hoshizaki.co.uk | sales@hoshizaki.nl (Int. Sales) | www.hoshizaki-europe.com